

MODE MONTAGE I SETUP INSTRUCTIES

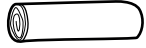
V2022

Patrouille 4x6 (inner 6)
Patrouille 4x4 (inner 4)
Patrouille 4x2 (inner 2)

Patrouille 4x6 (inner 4)
Patrouille 4x4 (inner 2)



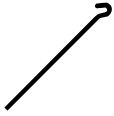
PACKING



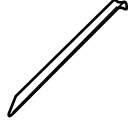
1x INNER TENT



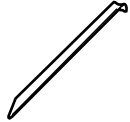
1x OUTER TENT



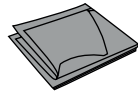
NAIL PEG
42x INNER TENT 4x6
34x INNER TENT 4x4
26x INNER TENT 4x2



ANGLE PEG
20x PATROUILLE 4x6
16x PATROUILLE 4x4
12x PATROUILLE 4x2



ANGLE PEG
14x PATROUILLE 4x6
10x PATROUILLE 4x4
6x PATROUILLE 4x2



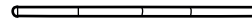
OPTIONAL
1X GROUNDSHEET BASIC
1X GROUNDSHEET BATHTUB



CENTER POLE
4x PATROUILLE 4x6
3x PATROUILLE 4x4
2x PATROUILLE 4x2



1x RIDGE POLE (4x2)



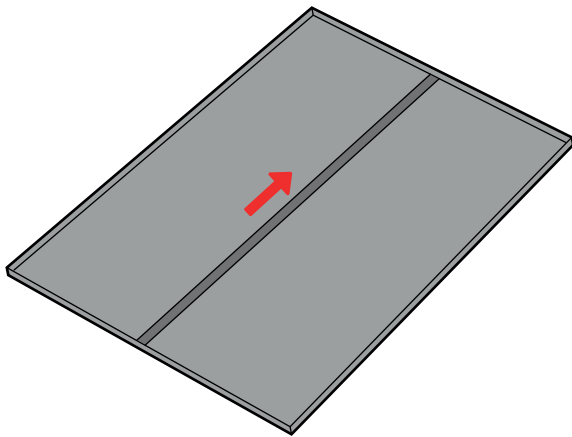
1x RIDGE POLE (4x4)



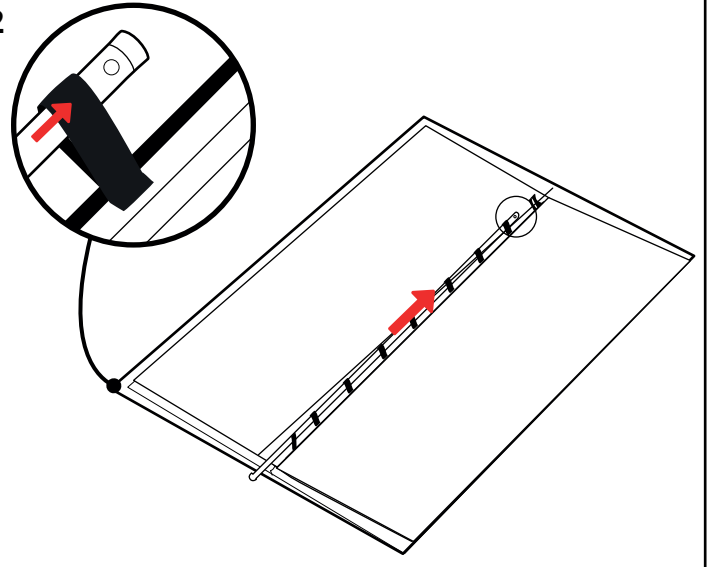
1x RIDGE POLE (4x6)

1 OPTIONAL: BATHTUB GROUNDSHEET

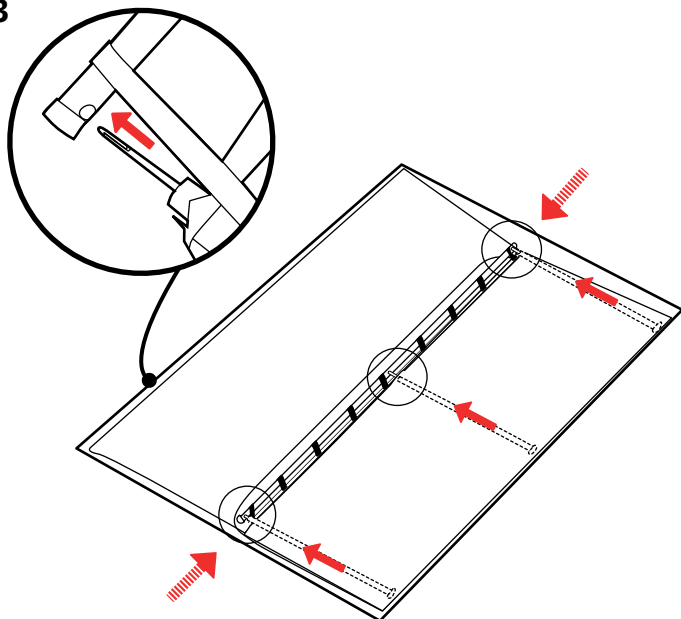
If you have a bathtub groundsheet, place it on the ground in the correct position.



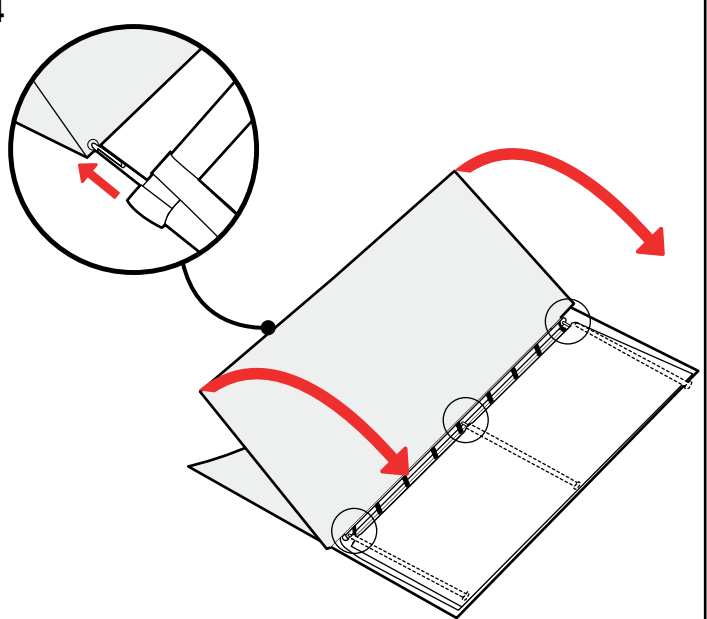
2



3



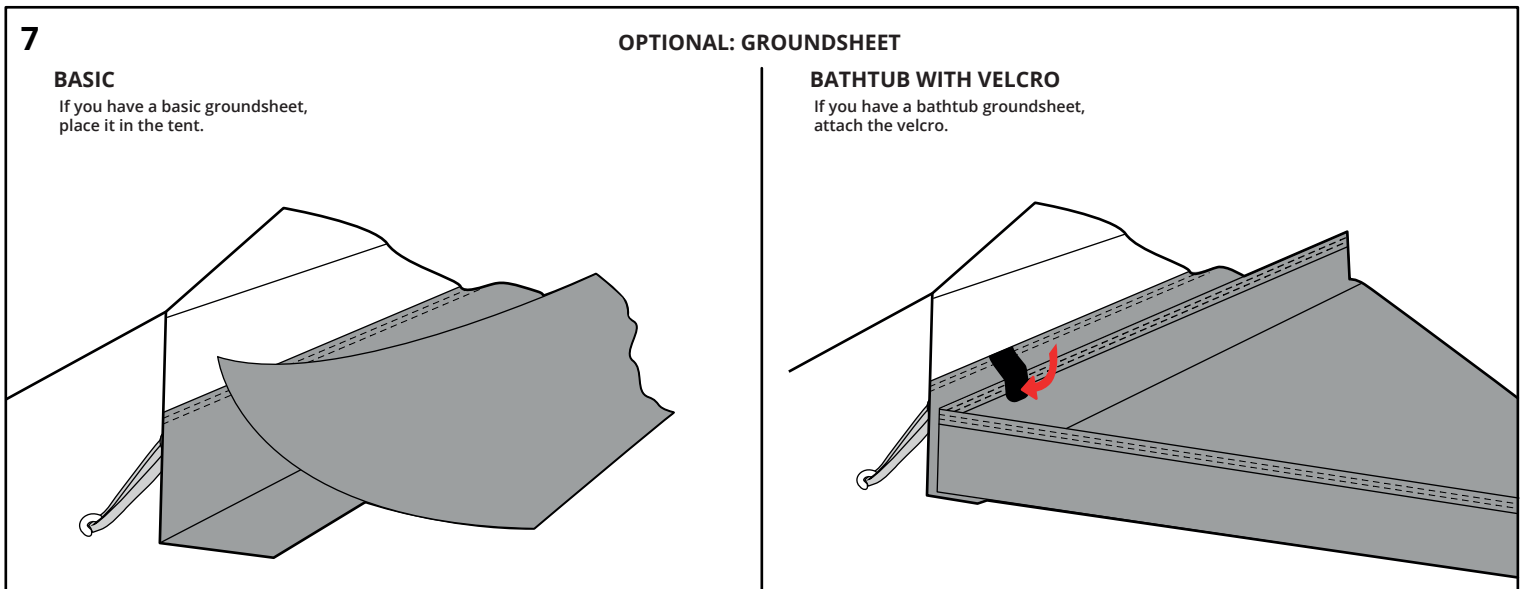
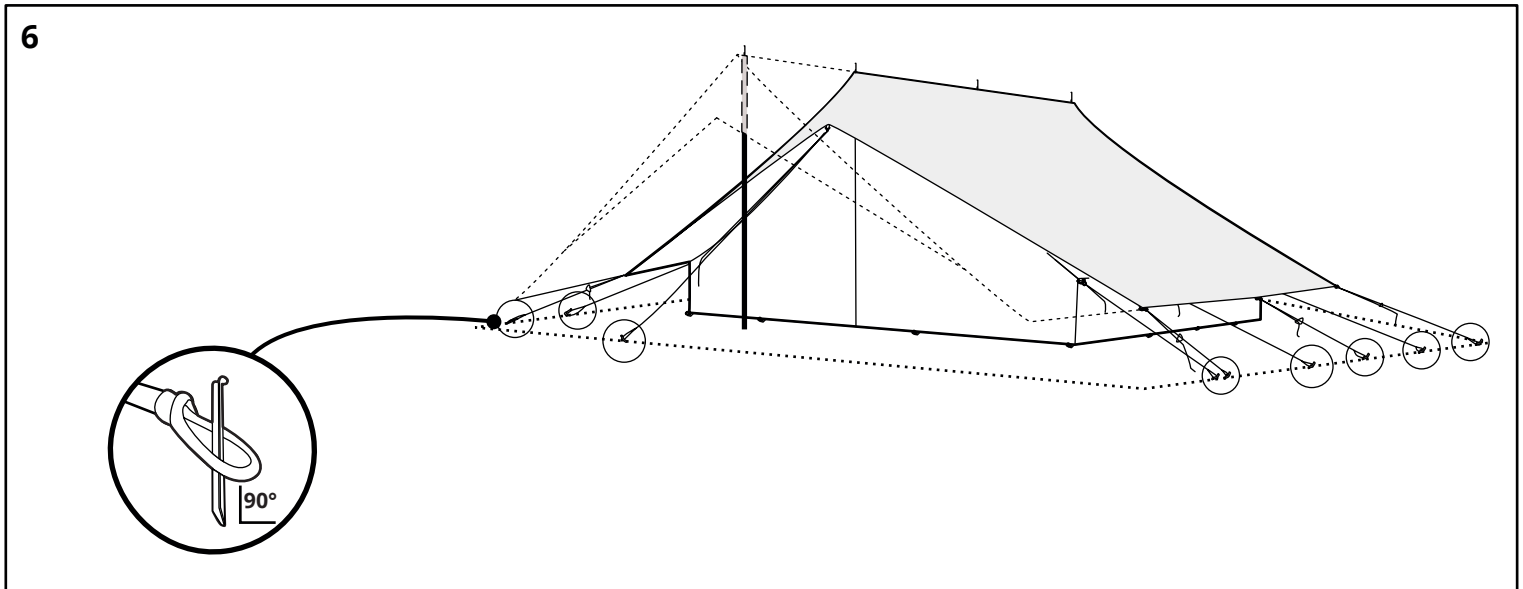
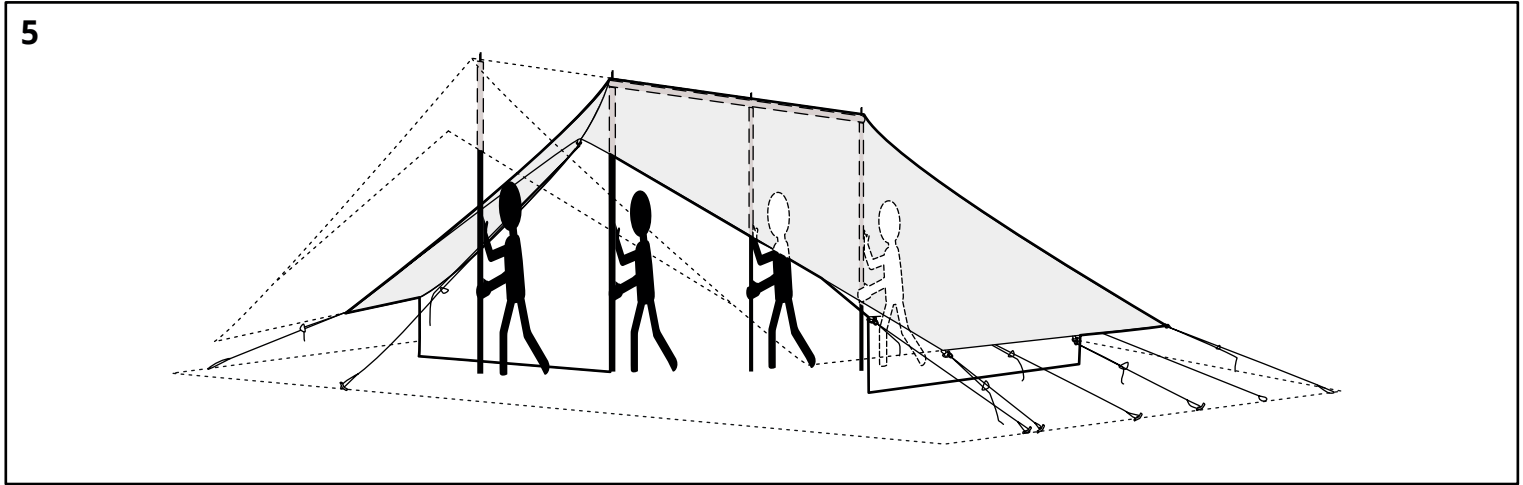
4



For more info on this tent, maintenance or repairs, check alpino.be.

MODE MONTAGE I SETUP INSTRUCTIES

V2022



For more info on this tent, maintenance or repairs, check alpino.be.