

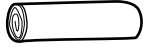
MODE MONTAGE I SETUP INSTRUCTIONS

V2023

Basic patrol 2 x 3 camel / sandshell
Basic patrol 2 x 4 camel / sandshell



PACKING



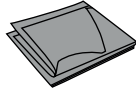
1x INNER TENT



1x OUTER TENT



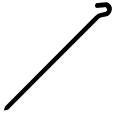
V-PEG
10x PATROL 2x3
10x PATROL 2x4



2x GROUND SHEET



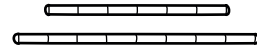
CENTER POLE
2x PATROL 2x3
3x PATROL 2x4



NAIL PEG 25 cm
20x PATROL 2x3
24x PATROL 2x4

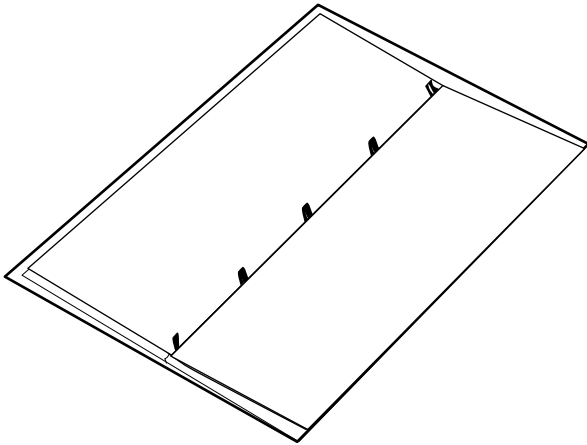


NAIL PEG 15 cm
18x PATROL 2x3
18x PATROL 2x4

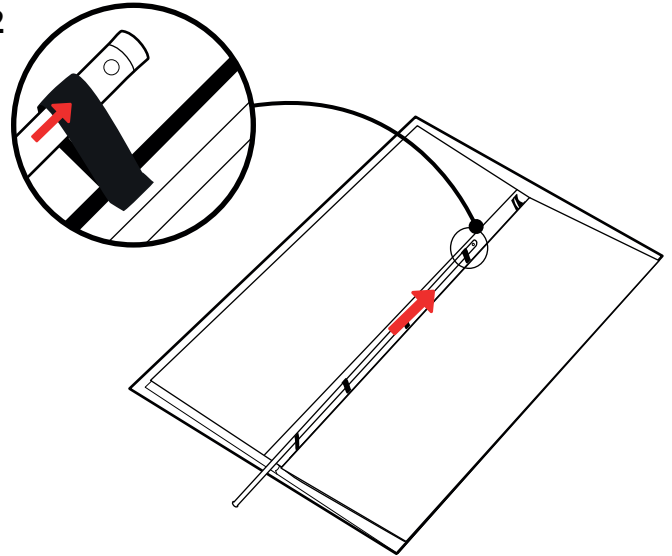


RIDGE POLE
1x PATROL 2x3
1x PATROL 2x4

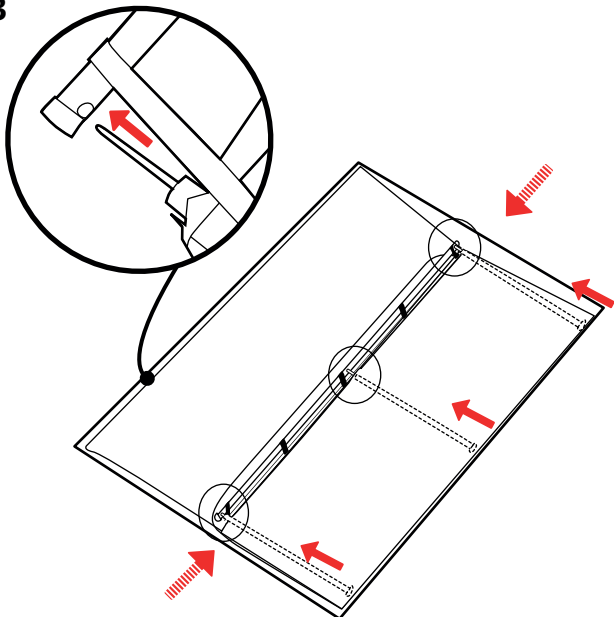
1 Place the inner tent open



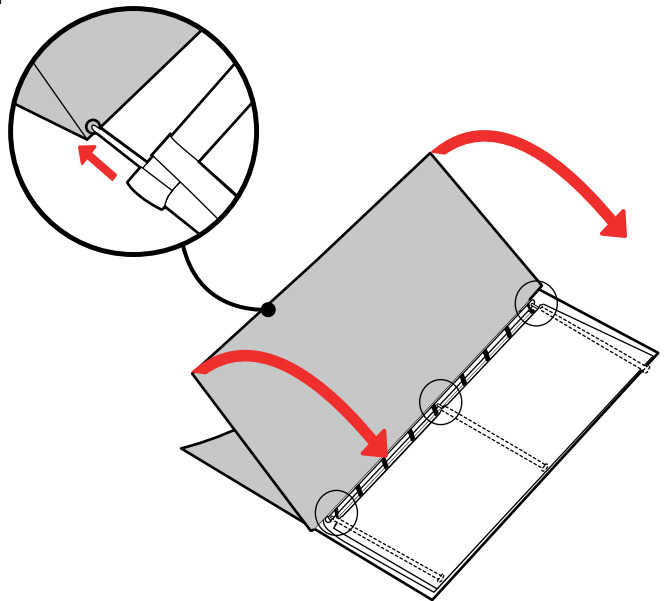
2



3



4



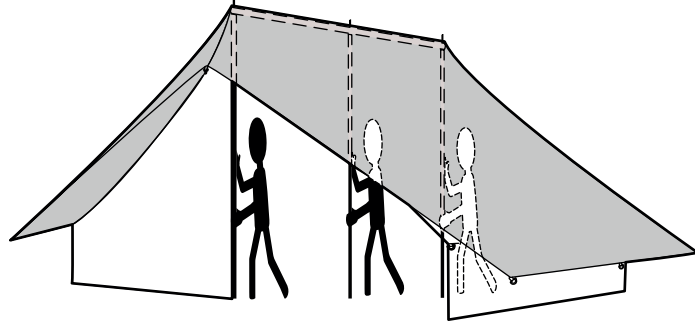
For more info on this tent, maintenance or repairs, check alpino.be.

MODE MONTAGE I SETUP INSTRUCTIONS

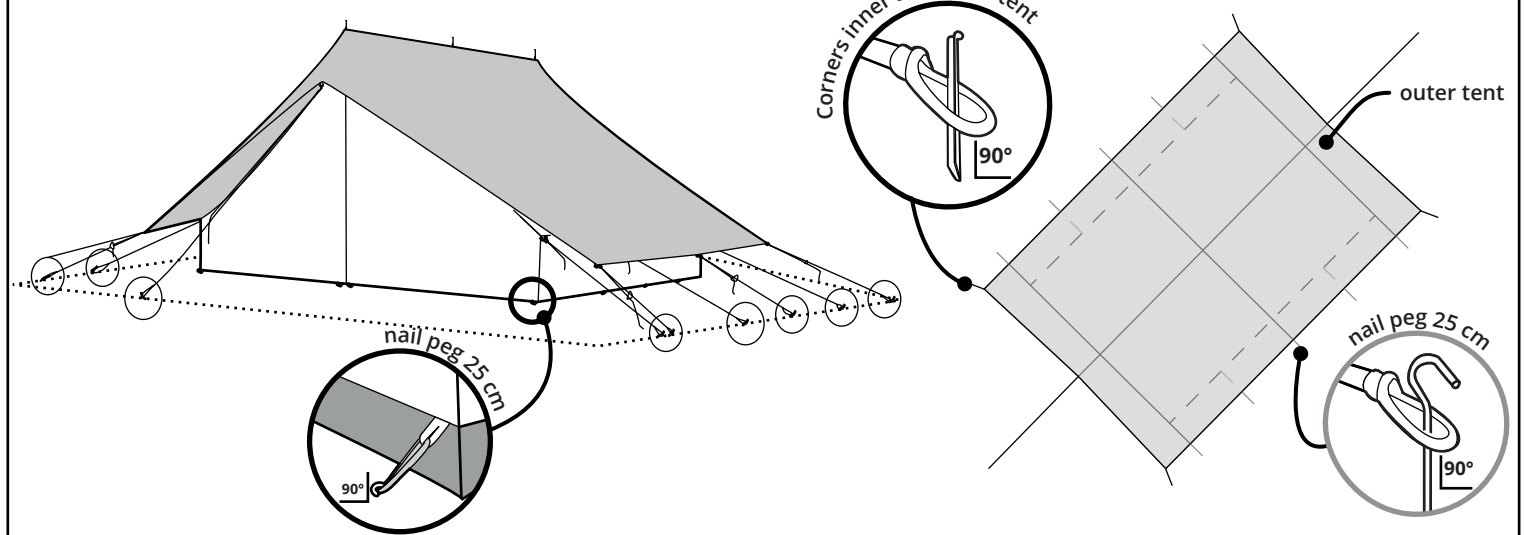
V2023



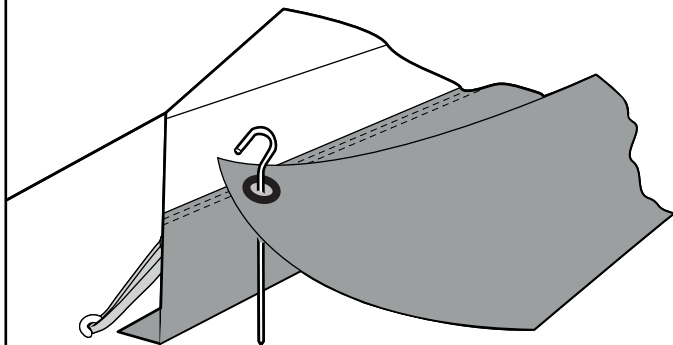
5



6



7 If you want to use the groundsheet, place it in the tent. Use nail pegs 15 cm.



For more info on this tent, maintenance or repairs, check alpino.be.